

DStv SWITCH USER GUIDE

DStv
Feel every moment

INTRODUCTION

You're one step closer to our world of extraordinary entertainment!

This DStv Switch has been specially designed and manufactured for your DStv Explora and XtraView installations. You'll need the DStv Switch in order to connect your DStv Explora to most existing DStv installations.

This User Guide will help you with simple connections to your satellite dish, your DStv Explora and some XtraView combinations. If your installation includes other types of multiswitches, cascading (ie. many connected) multiswitches or long cable runs, please consult with a DStv accredited installer.

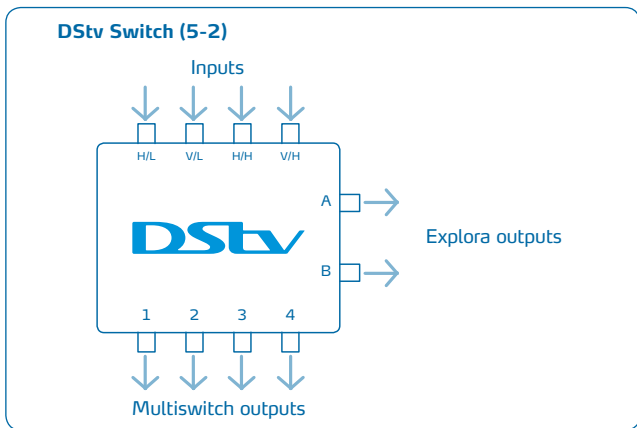
The DStv Switch (5-2) carries a 12-month warranty from the day you bought it. Terms and Conditions can be found on **[dstv.com](https://www.dstv.com)**.



Some of the information in this guide can get a little technical; as always, we recommend the use of a DStv accredited installer for all your installation needs. It's easy to locate one in your area - just go to **[dstv.com](https://www.dstv.com)**.

Your DStv Switch (5-2)

- The DStv Switch (5-2) has:
 - Four inputs (labelled H/L, V/L, H/H, V/H);
 - Four normal multiswitch outputs (labelled 1 to 4); and
 - Two Explora outputs (labelled A and B).
- Each multiswitch output (labelled 1 to 4) outputs a signal equivalent to a normal multiswitch output or a single LNB output.
- The DStv Switch comes with 3 cables. You may need additional cabling, depending on your set up.



- The DStv Switch self-terminates unused ports, which means you don't have to cap them.
- When your DStv Switch is connected to a DStv Explora via the Explora outputs, the "On" LED should be BLUE (this confirms that the switch is fully powered). Please see troubleshooting tip below if the "On" LED is RED or not lit. If your DStv Switch is only being used with other decoders (connected to outputs 1-4) and not with a DStv Explora, the "On" LED will not be lit.
- Keep in mind - this switch is not a signal booster.

**Troubleshooting Tip**

If there is at least one DStv Explora connected to the Explora outputs and the "On" LED is RED or is not lit, please check that the cables connected to the Explora outputs are: 1) Securely connected (both to the switch and decoder), 2) are not damaged and 3) That the decoder(s) themselves are switched on and getting power.

Remember, if there are no decoders connected to the Explora outputs, the "On" LED will not be lit (the switch will however work with the decoders connected to outputs 1 – 4.)

LNB Requirements

- If you are in South Africa or Southern Africa (an IS20* installation), your DStv Switch (5-2) requires input from a twin, quad or quattro LNB. It will not work if connected to a single feed or Unicable™ LNB**, even if the feed is split.
- If you're in Angola or Mozambique (an E36* installation), your DStv Switch (5-2) requires inputs from either a quad or quattro LNB. It will not work if connected to a twin LNB, single feed or Unicable™ LNB**, even if the feed is split.
- If you are located anywhere else in Africa (an E36* installation), your DStv Switch (5-2) requires input from a twin, quad or quattro LNB. It will not work if connected to a single feed or Unicable™ LNB**, even if the feed is split.

If you are unsure of the LNB used in your installation, which satellite your installation connects to, or if your installation has several multiswitches, we recommend contacting a DStv accredited installer. You can find your nearest one at www.dstv.com



- * IS20 is the satellite footprint used for DStv services in Southern Africa. E36 is for East and West African countries.
- ** Unicable™, is a standard for single cable distribution of multiple satellite signals. SatCR (Satellite Cable Router) and CSS (Channel Stacking Switch) both provide Unicable™ solutions.

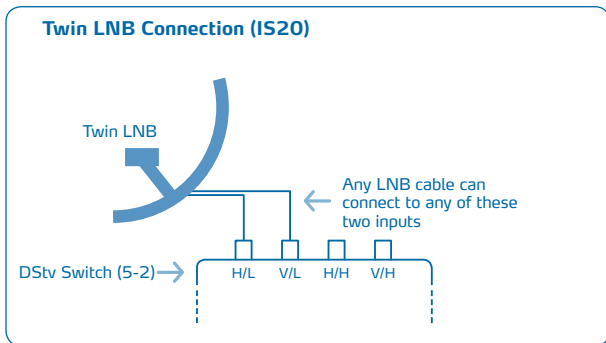
Connecting the Inputs from your Satellite Dish



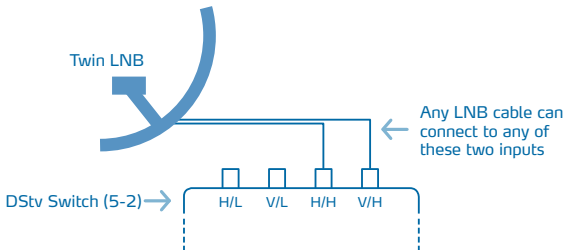
Please Note

- If you have a Unicable™ LNB, you can connect your LNB cable directly to the DStv Explora (there is no need to use this switch).
- If you have a Unicable™ LNB with multiple decoders in your home, please contact your DStv accredited installer.
- The DStv Switch (5-2) may not be required when connecting the DStv Explora to existing single-cable distribution systems (like those found in apartments or complexes). Please refer to the installer of the system for confirmation.

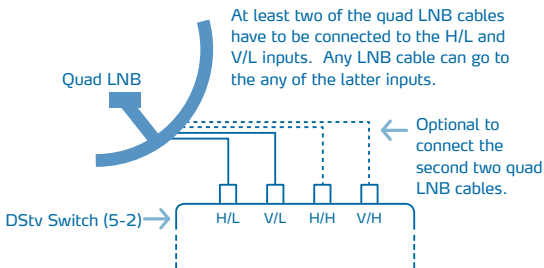
The following diagrams show you how to connect the inputs from your satellite dish.



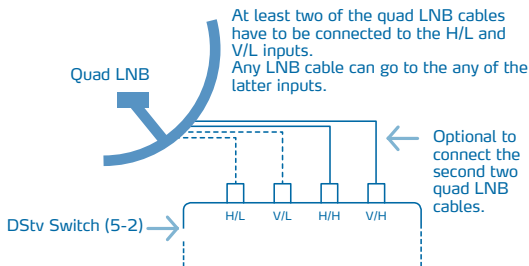
Twin LNB Connection (E36) (All countries other than Angola and Mozambique)



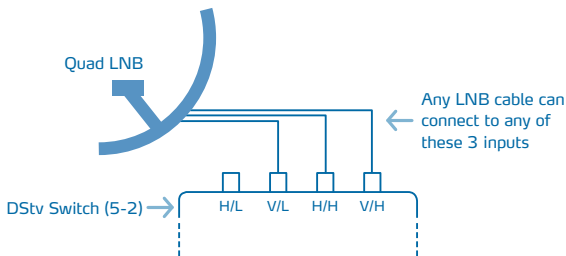
Quad LNB Connection (IS20)



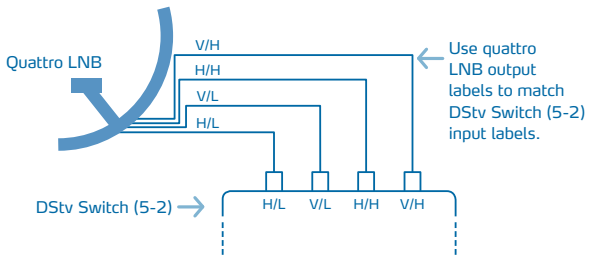
Quad LNB Connection (E36) (All countries other than Angola and Mozambique)



3 Cable Quad LNB Connection (E36) (Angola and Mozambique only)



Quattro LNB Connection



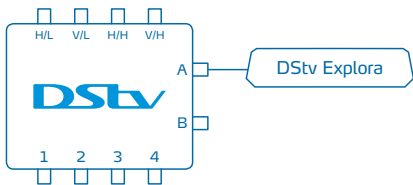
Connecting the Switch to your Decoder(s)

The DStv Switch (5-2) has two Explora outputs (labelled A and B) and four normal multiswitch outputs (labelled 1 to 4).

- The Explora outputs can only be connected to a DStv Explora, they aren't designed to connect to other decoder models.
- The four normal multiswitch outputs can be connected to up to four single view decoders, one 4 Tuner HD PVR, or a mix of DStv decoders (other than the DStv Explora). Again, remember that the DStv Explora cannot be connected to these particular outputs.

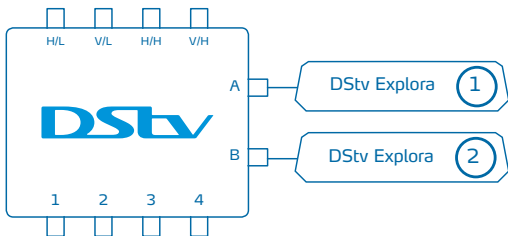
! These diagrams exclude the connections between decoders that are required for XtraView. For information on XtraView installations, including connections and settings, please contact a DStv accredited installer.

Connecting the DStv Switch (5-2) to one DStv Explora



Once the switch has been connected to the satellite dish, use the supplied cable and connect output A or B on the switch to the input labelled UNICABLE™ IN on the back of your DStv Explora.

Connecting the DStv Switch (5-2) to two DStv Exploras

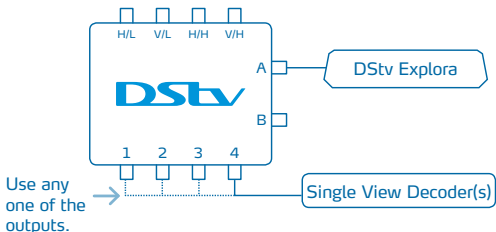


- Once the switch has been connected to the satellite dish, use the supplied cable and connect output A to the input labelled UNICABLE™ IN on the back of the first DStv Explora. Then connect output B to the input labelled UNICABLE™ IN on the back of the second DStv Explora.
- Then check and change the Home Network Settings as below :

DStv Explora 1 Home Network Settings (No change – retain defaults)	
Tuner 1 Frequency	0
Tuner 2 Frequency	1
Tuner 3 Frequency	2
Tuner 1 Index	1210
Tuner 2 Index	1420
Tuner 3 Index	1680

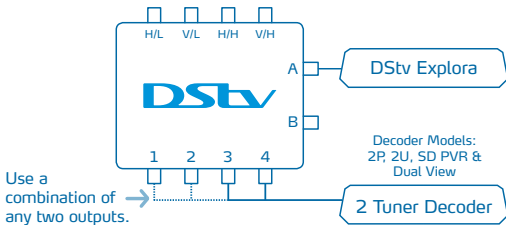
DStv Explora 2 Home Network Settings	
Tuner 1 Frequency	3
Tuner 2 Frequency	4
Tuner 3 Frequency	2
Tuner 1 Index	1892
Tuner 2 Index	2040
Tuner 3 Index	1680

Connecting the DStv Switch (5-2) to one DStv Explora and one to four Single View Decoders



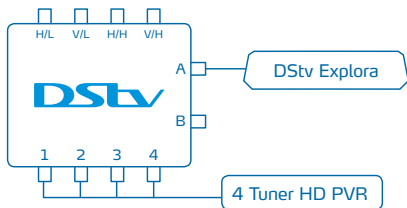
- Once the switch has been connected to the satellite dish, use the supplied cable and connect output A or B on the switch to the input labelled UNICABLE™ IN on the back of your DStv Explora.
- Then connect the outputs labelled 1 to 4 on the switch to the satellite inputs on the back of the Single View Decoder(s).

Connecting the DStv Switch (5-2) to one DStv Explora and one 2 Tuner Decoder



- Once the switch has been connected to the satellite dish, use the supplied cable and connect output A or B on the switch to the input labelled UNICABLE™ IN on the back of your DStv Explora.
- Then connect any two outputs (labelled 1 to 4) on the switch to the satellite inputs on the back of the 2 Tuner Decoder (like a Dual View, SD PVR, HD PVR 2P or HD PVR 2U).

Connecting the DStv Switch (5-2) to one DStv Explora and one 4 Tuner HD PVR



- Once the switch has been connected to the satellite dish, use the supplied cable and connect output A or B on the switch to the input labelled UNICABLE™ IN on the back of your DStv Explora.
- Then connect the outputs labelled 1 to 4 on the switch to the satellite inputs on the back of the 4 Tuner HD PVR.

Information correct at time of going to print. For updated information, go to dstv.com (the "DStv website").
In the event of conflict between this information and the information on the DStv website, the information on the DStv website will prevail.

e&oe (November 2014, V1.9)

Find us on

dstv.com

www.pace.com



